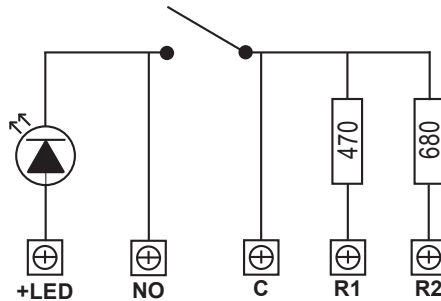


## ZT-CP4/F Conventional Flush Mount Manual Call Point

### Connection options



On the back of the call point there are 5 screw terminals connected to the internal PCB. Depending on where the wires are connected, the call point provides a series resistor, activates an internal LED or can simply provide a closing contact. If you choose to connect the +IN cable to the terminal marked LED the call point, when operated, will switch on the internal red LED. Alternatively if you connect to the NO terminal the LED will not operate.

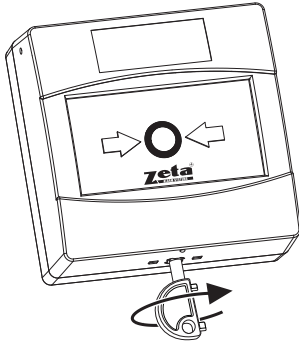
There are three different options for connecting the -OUT wire. Connecting to the C terminal provides a clean contact without any series resistor(\*). Choosing either the R1 or R2 terminals incorporates a series resistance, where R1 is a 470  $\Omega$  (5% - 2 W) and R2 is a 680  $\Omega$  (5% - 2 W). The table below confirms the different connection options:

|                       | LED | NO  | C    | R1   | R2   |
|-----------------------|-----|-----|------|------|------|
| <b>SWITCH</b>         |     | +IN | -OUT |      |      |
| <b>LED+SWITCH (*)</b> | +IN |     | -OUT |      |      |
| <b>LED+SWITCH+R1</b>  | +IN |     |      | -OUT |      |
| <b>SWITCH+R2</b>      |     | +IN |      |      | -OUT |
| <b>SWITCH+R1</b>      |     | +IN |      | -OUT |      |
| <b>LED+SWITCH+R2</b>  | +IN |     |      |      | -OUT |

(\* ) the current must be limited to 10 mA to avoid LED damages.

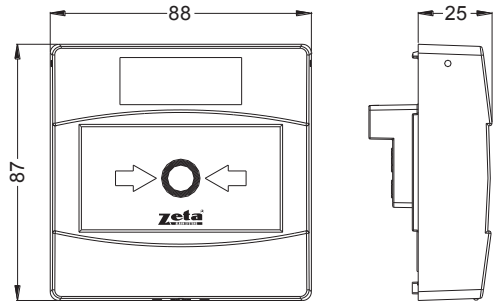
***Important note: Please note that incorrectly connecting the power supply directly between the "LED" and "NO" terminals can damage internal components, as the power supply will be directly applied to the LED. Carefully check your connections before applying power.***

## Reset Instructions



Turn clockwise to reset

## Dimensions



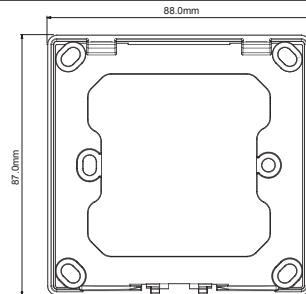
## Flush Mounting

Mount flush mount plate with hinge fixings at top.

Make cable connections to call point terminals.

Locate body on top hinge points first then seat firmly on bottom catch. Slide trim frame over call point body and seat on to flush plate catches to secure

## Mounting Dimensions



## Technical Specifications

|                               |  |
|-------------------------------|--|
| Maximum Voltage               | 30 Volt  |
| Minimum Voltage*              | 4,5 Volt if LED with R1 is chosen<br>6,0 Volt if LED with R2 is chosen |
| Current Rating (non-operated) | 0 mA   |
| Current Rating (operated)     | 18 mA @12 Volt - R1  |
|                               | 13 mA @12 Volt - R2  |
|                               | 45 mA @24 Volt - R1  |
|                               | 31 mA @24 Volt - R2  |
| Cable Termination             | 0,5 - 2,5 mm   |
| Operating Temperature         | -30 / +70 °C   |
| Humidity                      | 0 - 95 %   |
| IP rating                     | 42   |
| Material                      | ABS/Polycarbonate/PA6+glass fiber                                      |

\*Below minimum voltage led current is lower than 7 mA

21 **CE**  
2831

**zeta**<sup>®</sup>  
ALARMS LIMITED  
Zeta Alarms Limited

Detection House, 72-78 Morfa Road Swansea, SA1 2EN  
Telephone: +44 (0)1792 455 175  
Email: info@zetaalarmssystem.com

20  
2831-CPR-F4460

EN 54-11:2001+ A1:2005  
Conventional Type A Indoor  
Manual Call Point

Zeta CP4/F  
Conventional Flush Mount  
Manual Call Point  
Red series only