

# Indoor Series, Fire Alarm Bell, Type A 150mm (6 inch) and 200mm (8 inch)

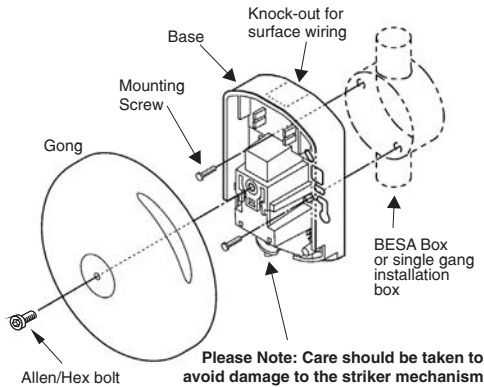


## INSTALLATION INSTRUCTIONS

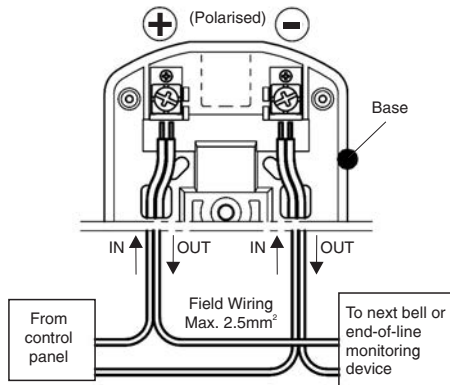
Please ensure that the following instructions are read carefully prior to installation.

1. Bells should be positioned a minimum of 2.4m above the floor, in the vertical plane.
2. Remove gong by unscrewing allen/hex bolt.
3. Ensuring that the terminals are at the top of the unit, feed field wiring through the base. Base can be mounted either onto a flush or surface mounted BESA, single gang installation box or directly onto the wall. A knockout is provided at the top of the base for surface wiring. (Fig 2/3)
4. Connect wiring (max 2.5mm<sup>2</sup>) to terminals (Fig 1) observing polarity. Dress wires to avoid touching the gong.
5. Correctly align gong on base and replace allen/hex bolt to secure.

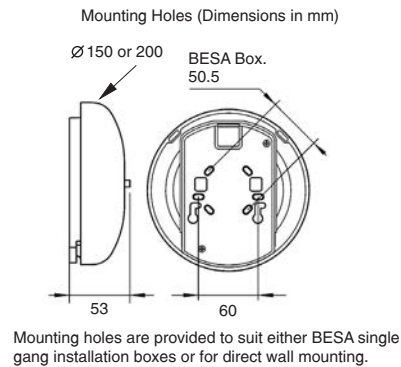
**Fig 2: Semi-Flush Installation**



**Fig 1: Wiring (front view) Observe Polarity**



**Fig 3: Basic Mechanism and Gongs**



## SPECIFICATION

Model	ZTB6B/24	ZTB8B
Rated Voltage	20.4 to 27.6Vdc	20.4 to 27.6Vdc
Rated Current	11mA@24Vdc	17mA@24Vdc
Operating Temperature	-10 to +50°C	-10 to +50°C
IP Rating (minimum)	23C	23C
Weight	410g	640g
Body Colour	Red	Red

Note: For sound output data refer to Sound Output Data Sheet DS/BELLDATA/ZETA/ISS1

Fire Alarm Bells manufactured for ZETA Alarms Ltd. UK

[www.zeta-alarms.co.uk](http://www.zeta-alarms.co.uk)

Ref: IS/3500016/ZETA iss 1

E&OE

# Indoor Series, Fire Alarm Bell, Type A 150mm (6 inch) and 200mm (8 inch)

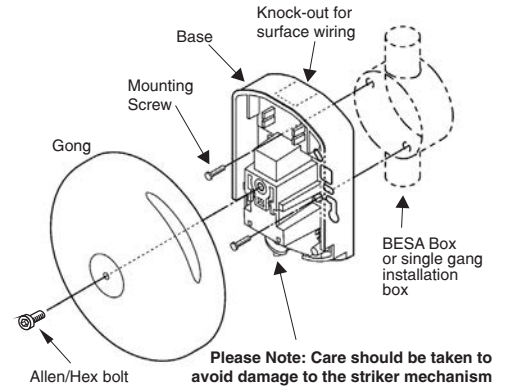


## INSTALLATION INSTRUCTIONS

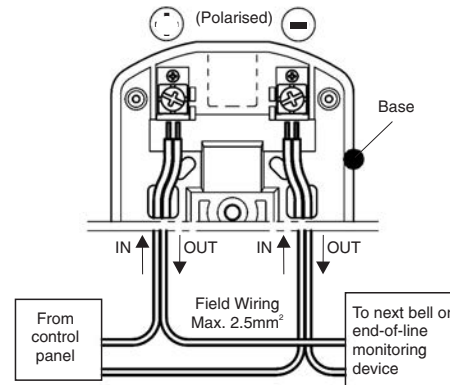
Please ensure that the following instructions are read carefully prior to installation.

1. Bells should be positioned a minimum of 2.4m above the floor, in the vertical plane.
2. Remove gong by unscrewing allen/hex bolt.
3. Ensuring that the terminals are at the top of the unit, feed field wiring through the base. Base can be mounted either onto a flush or surface mounted BESA, single gang installation box or directly onto the wall. A knockout is provided at the top of the base for surface wiring. (Fig 2/3)
4. Connect wiring (max 2.5mm<sup>2</sup>) to terminals (Fig 1) observing polarity. Dress wires to avoid touching the gong.
5. Correctly align gong on base and replace allen/hex bolt to secure.

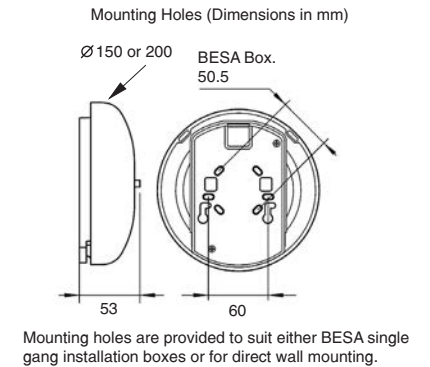
**Fig 2: Semi-Flush Installation**



**Fig 1: Wiring (front view) Observe Polarity**



**Fig 3: Basic Mechanism and Gongs**



## SPECIFICATION

Model	ZTB6B/24	ZTB8B
Rated Voltage	20.4 to 27.6Vdc	20.4 to 27.6Vdc
Rated Current	11mA@24Vdc	17mA@24Vdc
Operating Temperature	-10 to +50°C	-10 to +50°C
IP Rating (minimum)	23C	23C
Weight	410g	640g
Body Colour	Red	Red

Note: For sound output data refer to Sound Output Data Sheet DS/BELLDATA/ZETA/ISS1

Fire Alarm Bells manufactured for ZETA Alarms Ltd. UK

[www.zeta-alarms.co.uk](http://www.zeta-alarms.co.uk)

Ref: IS/3500016/ZETA iss 1

E&OE